

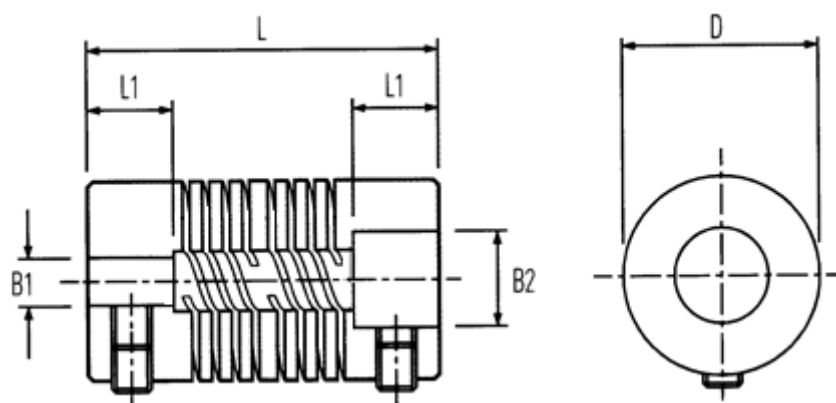
# Data Sheet



Article number: 339706090000

Description: Multibeam 6 Coupling 706.09.0000  
Aluminium relieved & set screw hubs

## Measures



B1: Pre-drilled = 2.0

B2: Pre-drilled = 4.00

D = 9.5

L = 19.6

L1 = 5.3

Max angular displacement = 0.12

Max B1 & B2 = 4.76

Max parallel displacement = 3

Peak Torque NM = 1.00

Set Screw = M2,5